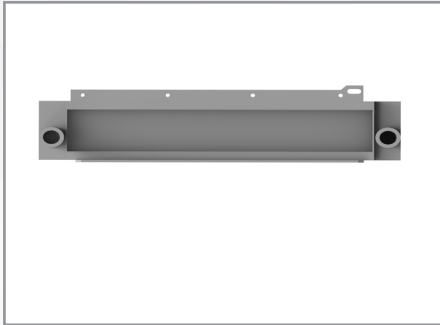


**Design Application To suit** Powerboss Armadillo 9X

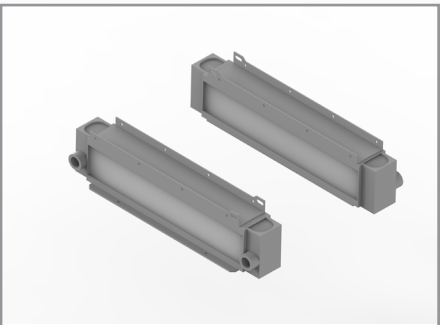
**COR Part no.** OCPOWARM9X-H Hydraulic Oil Cooler

**OE Part no.** TBA

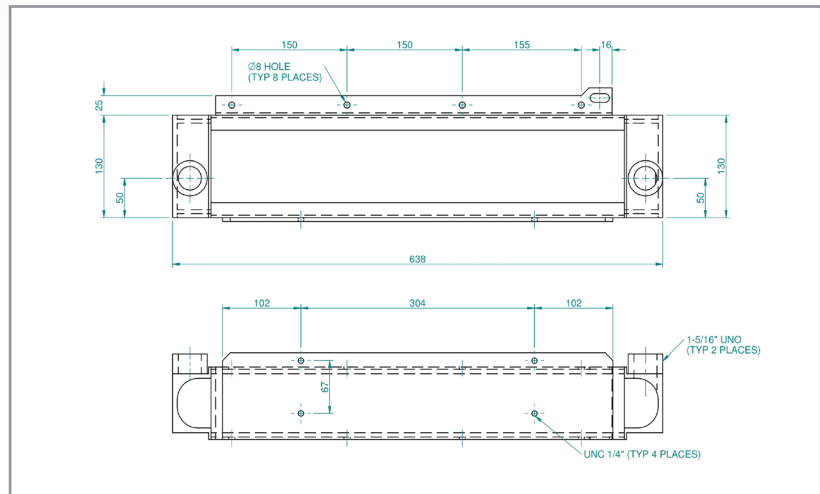


### FEATURES

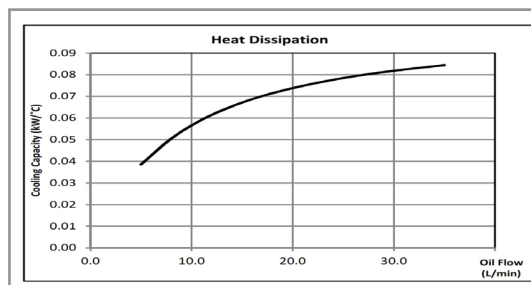
- Heavy duty bar and plate.
- Performance Data Sheet available.
- One year manufacturers' warranty.



### GENERAL ARRANGEMENT DRAWING



### HEAT DISSIPATION CURVE



Document no: COR-NAT-MANU-DOC-005

Revision no: 1

Date of issue: 20/10/2015



\*Terms and conditions apply