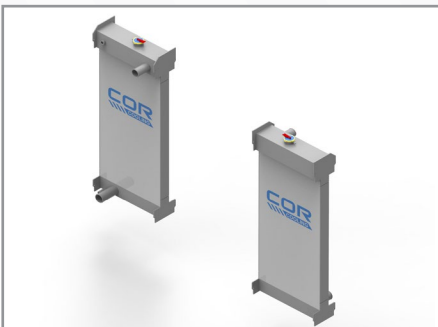


Genset Design Application To suit Perkins GEP165 Genset (Olympian)

COR Part no. OCPERGE165- R - Radiator

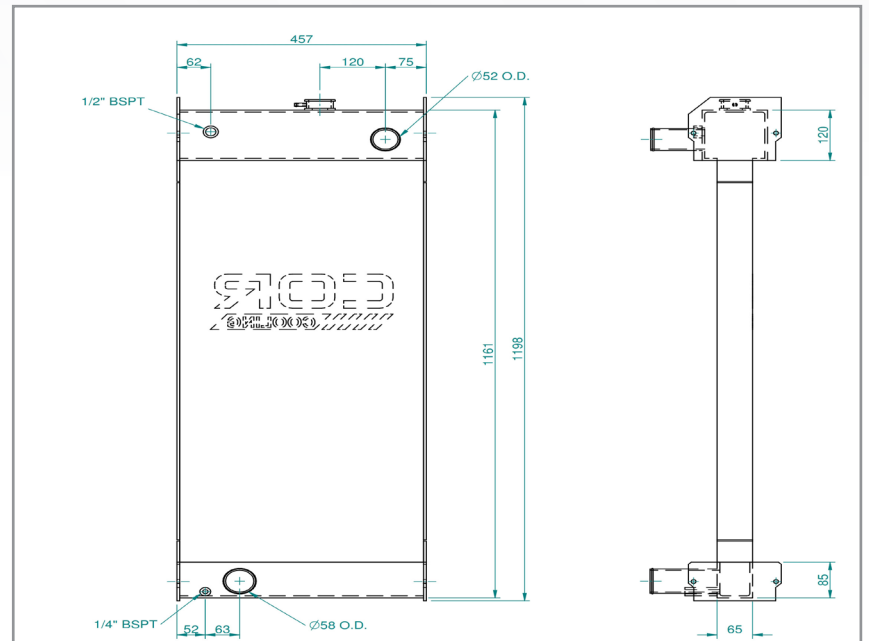
OE Part no.



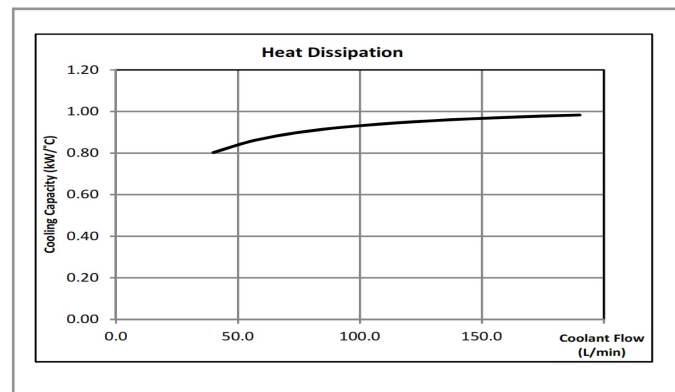
### FEATURES

- Heavy duty bar and plate design
- Designed to suit OE steelwork
- PDS available
- One year manufacturers' warranty
- Also available: OCPERGE165-ASSY (Assembly), OCPERGE165-CAC (Charge Air Cooler) and OCPERGE165-SW (Steel Work).

### GENERAL ARRANGEMENT DRAWING



### HEAT DISSIPATION CURVE



Document no: COR-NAT-MANU-DOC-003.2

Revision no: 1

Date of issue: 01/10/2015



\*Terms and conditions apply