

Design Application To suit Komatsu Dozer 0375A-6

COR Part no. OCKOMD375A-6- CAC Charge Air Cooler

OE Part no. 1950365181

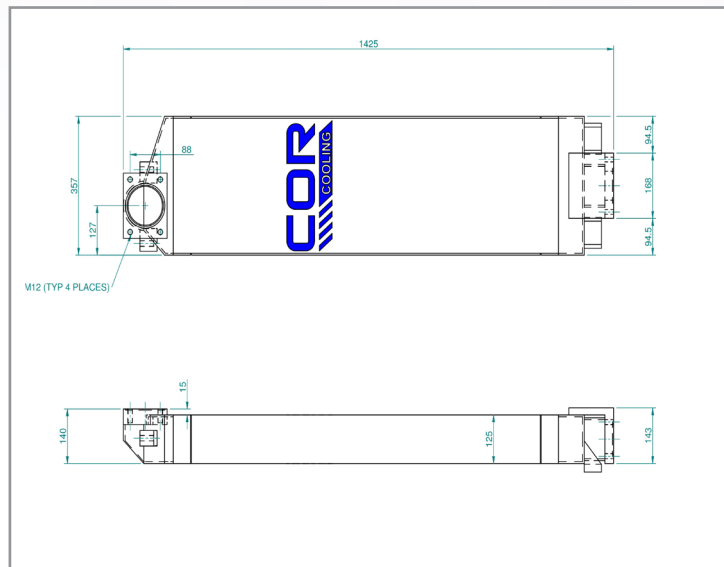


FEATURES

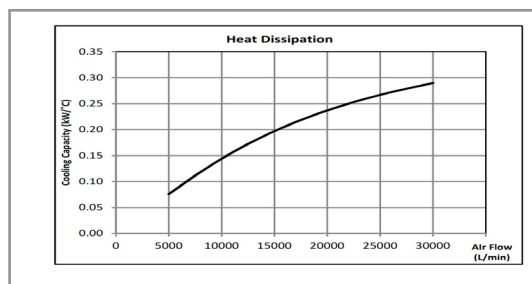
- Heavy duty bar and plate design.
- Side band expansion slits.
- Performance Data Sheet available.
- One year manufacturers' warranty.



GENERAL ARRANGEMENT DRAWING



HEAT DISSIPATION CURVE



Document no: COR-NAT-MANU-DOC-007

Revision no: 1

Date of issue: 20/10/2015



*Terms and conditions apply